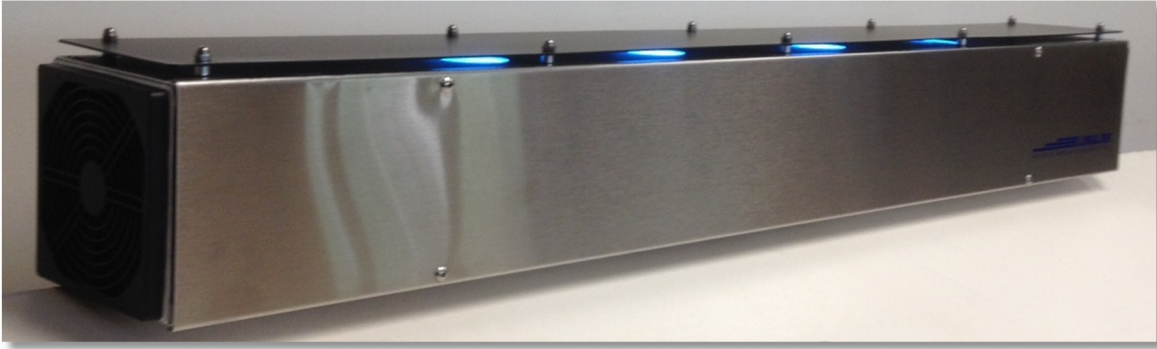


Lumalier FAWM-24/36 UV-C Disinfection Unit



Airborne Pathogen UV-C Disinfection Unit with filters and PCO. Continuous air disinfection for occupied, high-use, high-risk tight spaces; ideal air disinfection for elevators, etc.

UV-C can destroy any infectious microorganism it comes in contact with. There are no known pathogens that are resistant to a lethal dose of UV-C NONE.

Kills all known bacteria, virus, mold, protozoa and yeast including Measles, Influenza, Ebola, MRSA, C.diff, TB, VRE, Enterovirus d68, Anthrax, Legionnaire's and Acinetobacter.

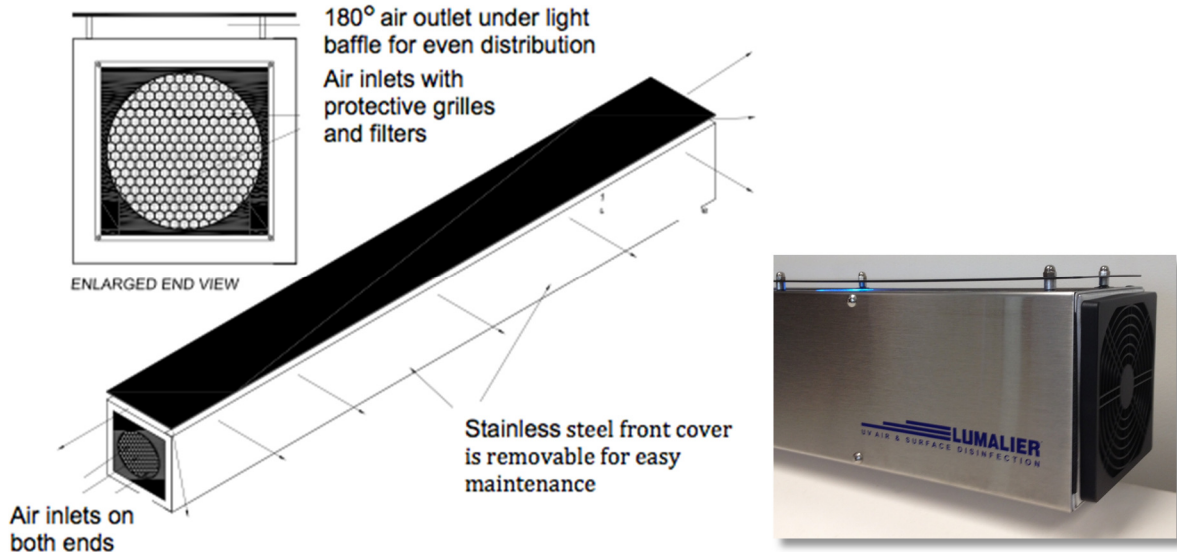
The Lumalier FAWM-24/36 series forced air disinfectors use advanced environmental disinfection technology to:

- **Remove Airborne Particulates**
Easily replaceable 5" x 5" filter.
- **Destroy Bio-Aerosols (airborne pathogens)**
Philips low mercury (Hg) UV-C germicidal lamps.
- **Neutralize Airborne VOC's (volatile organic chemicals)**
Photocatalytic Oxidation (PCO) technology; Titanium Dioxide (TiO₂).

Features:

1. The Lumalier Forced-Air Wall-Mount unit features two 5" high intake fans (in 36" unit, one fan in 24" unit). Contaminated air is pulled through an exterior replaceable filter to remove airborne particulates (dust, skin, pollen, etc.).
2. Air flows across a Philips UV-C twin-tube germicidal lamp. An air deflector disperses treated air in a 360° pattern, while preventing line-of-sight exposure to UV-C energy. The free-flow air design promotes a high volume of air changes/hour (ACH) & continuous disinfection 24/7.
3. As airborne VOC's flow across the TiO₂ Titanium Dioxide coated inner chamber, photocatalysis occurs and VOC's are neutralized.
4. Power options: rear-exit three wire (BWG) for hard wiring (standard); top exit or bottom exit six-foot flex or grounded power cord (please specify).
5. Power switch options: bottom-mount toggle (standard), top-mount toggle or bottom-mount pull-chain options (please specify).

Lumalier FAWM-24/36 UV-C Disinfection Unit



Specifications:

Ballast: One Philips Advance PowerVolt UV, self-regulating electronic ballast.
5 year, non-prorated full replacement warranty.

Safety: Internal safety switch automatically turns unit off for maintenance.

Construction: Hospital grade Stainless Steel and Aluminum, 3M connectors, easy front access for maintenance.

Mounting Options: Wall mounted (keyway holes included), shelf mounted, or ceiling hung (please specify).

FAWM-24: 24" wide x 5.5" high x 5" deep (not including wiring); with one 5" fan, for 150 sq. ft. disinfection area with 8' to 9' ceiling height.
One 35W high output Philips TUV PL-L35W twin-tube germicidal lamp, 18" total tube length, 9,000 hour lamp life.

FAWM-36: 36" wide x 5.5" high x 5" deep (not including wiring); with two 5" fans, for 330 sq. ft. disinfection area with 8' to 9' ceiling height.
One 55W Philips TUV PL-L55W twin-tube germicidal lamp, 44" total tube length, 9,000 hour lamp life.

Philips UV-C bulbs for Green technology; lowest Hg = 5mg or less Mercury content.

**Lumalier Environmental Disinfection Products
By Evergreen UV LLC**



Distributed by: EA Medical, LLC • 800-339-9393 • uvc@eamed.com
www.eamed.com • 10541 State Highway 81 • Canton, MO 63435